

Oct. 22, 1963

P. E. MAYES ETAL

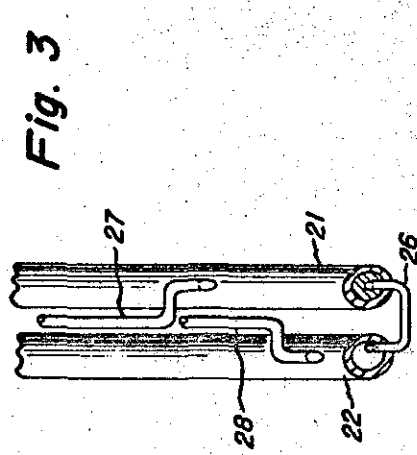
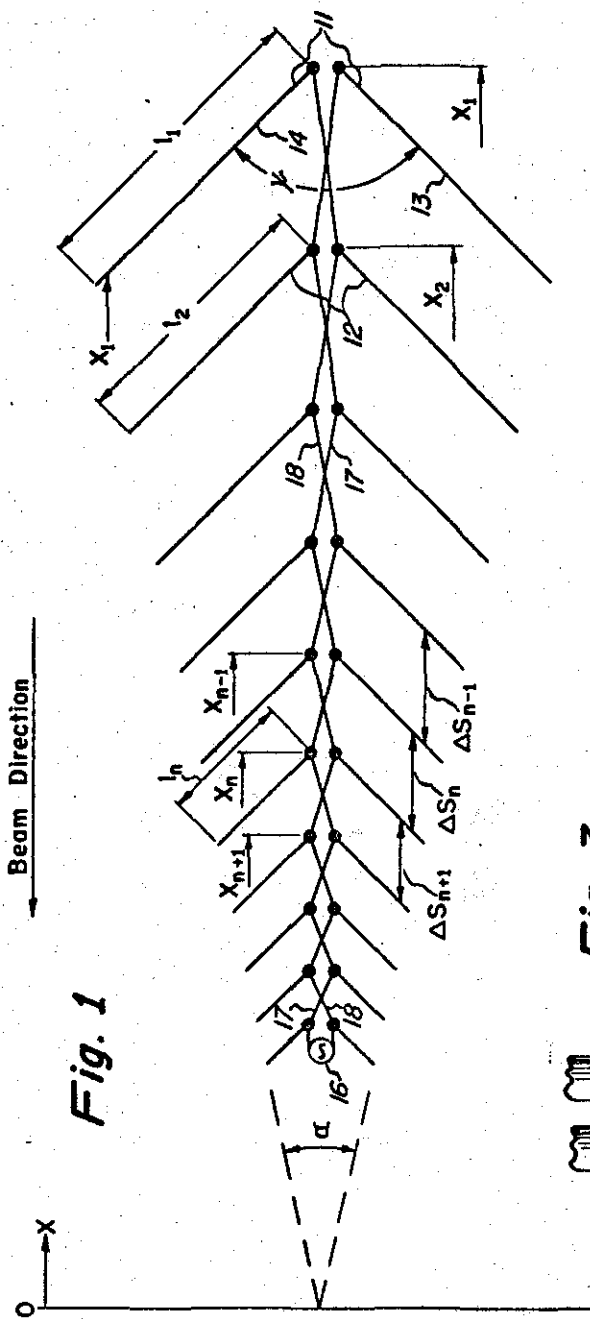
3,108,280

LOG PERIODIC BACKWARD WAVE ANTENNA ARRAY

Filed Sept. 30, 1960

2 Sheets-Sheet 1

UNITED STATES DISTRICT COURT
NORTHERN DISTRICT OF ILLINOIS
BEFORE JUDGE HOFFMAN
DEFENDANT EX. NO. 9
DOROTHY L. BRACKENBURY
OFFICIAL COURT REPORTER



INVENTORS:
Paul E. Mayes
Robert L. Carrel
BY
Merriam, Smith & Marshall
ATTORNEYS

Oct. 22, 1963

P. E. MAYES ETAL

3,108,280

LOG PERIODIC BACKWARD WAVE ANTENNA ARRAY

Filed Sept. 30, 1960

2 Sheets-Sheet 2

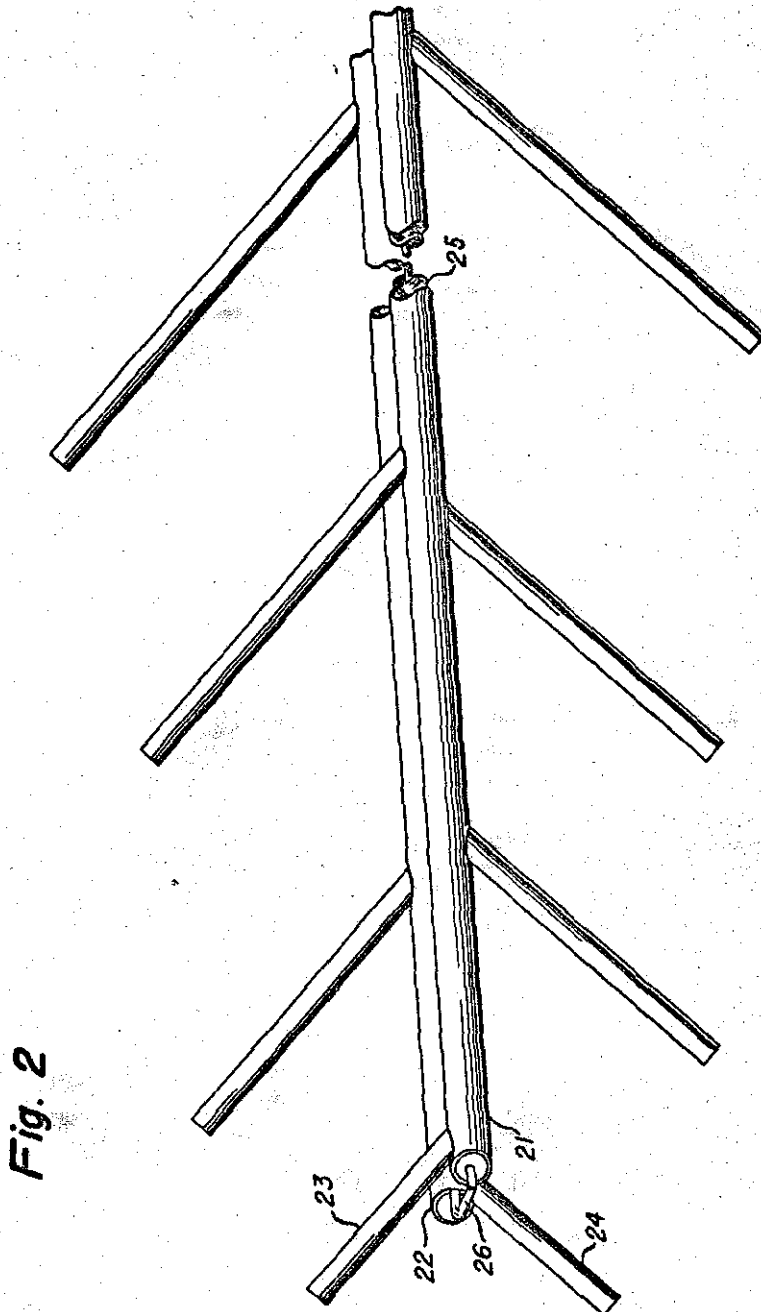


Fig. 2

INVENTORS:
Paul E. Mayes
Robert L. Garrel

BY
Merriam, Smith & Marshall
ATTORNEYS